

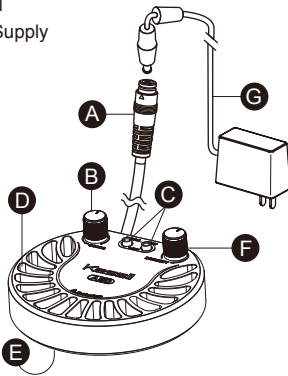
# Kessil A80

OWNER'S MANUAL  
LED ILLUMINATOR



## PARTS DIAGRAM

- A. Power Cord
- B. Spectrum Tuning Dial
- C. 0-10V Controller Ports
- D. Heat Sink Fin
- E. Lens
- F. Intensity Dial
- G. DC Power Supply



## PRODUCT SPECIFICATIONS

Illuminator	
Power Consumption	15W maximum
Input Voltage	24VDC
Listed Power Supply	
Input	100-240VAC, 50-60Hz
Output	24VDC, maximum 1A

## INSTALLATION GUIDE

1. Remove contents from package.
2. Hang the A80 1 to 2 ft. above the plants/tank.
3. Connect Power Cord (A) to the specified DC Power Supply (G).
4. Plug the power supply into an outlet with the correct specifications (see product specifications for more information).
5. Using the A80's Intensity Tuning Dial (F) and Spectrum Tuning Dial (B), set the light to the desired setting. A80 Tuna Blue tunes from 10,000K - Actinic. A80 Tuna Sun tunes from 6,000K - 9,000K.
6. The ports beneath the dials can be connected to an external 0~10V controller. Please consult your controller's owner's manual for more information.

## SAFETY INSTRUCTIONS

1. **DO NOT** use a power supply that does not meet the specifications. This is a fire hazard and may lead to unit failure.
2. **DO NOT** use outdoors. This unit is intended for indoor use only.
3. **DO NOT** expose unit to an extremely humid environment or submerge in water. This may lead to unit failure.
4. **DO NOT** place unit in close contact with any other objects while powered on because unit may overheat.
5. **KEEP** lens (E) away from sharp objects. This may break the lens and lead to unit failure.
6. **DO NOT** cover or place objects on the power supply (G). It should not be contained in an airtight space.

## INSTRUCTIONS DE SECURITE

1. N'UTILISEZ PAS d'adaptateur d'alimentation qui ne satisfait pas aux exigences. Il y aurait un risque d'incendie et de dommages de l'unité.
2. NE PAS UTILISER à l'extérieur. Cette unité est prévue pour une utilisation en intérieur.
3. N'EXPOSEZ PAS l'unité à un environnement extrêmement humide ou ne submergez pas l'unité dans l'eau. Cela pourrait endommager l'unité.
4. NE PLACEZ PAS l'illuminateur en marche, en contact direct avec d'autres objets. Cela pourrait causer un réchauffement trop élevé de ces derniers et pourrait faire surchauffer l'unité.
5. GARDEZ la lentille (E) à l'écart des objets pointus. Les objets pointus pourraient casser la lentille et endommager l'unité.
6. NE RECOUVREZ PAS, ou ne placez pas d'objet sur l'adaptateur d'alimentation (G). Il ne doit pas se trouver dans un espace fermé.



**Kessil Lighting**  
A DiCon Brand

1689 Regatta Blvd, Richmond, CA 94804  
(510) 620-5250  
Kessil.com

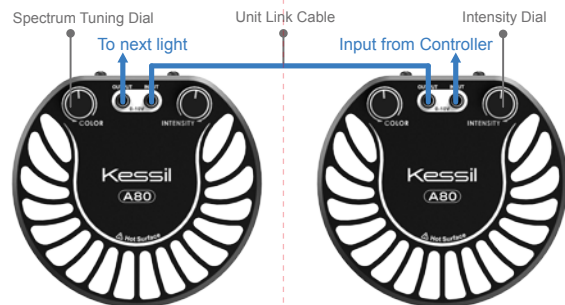


## MAINTENANCE

1. Keep the unit clear of dust. To clean, unplug the unit and use a clean, dry cloth to remove accumulated dust from between each Heat Sink Fin (D).
2. Keep the Lens (E) clean. If the lens becomes contaminated with water, dust, or other particles, unplug the unit and clean the lens with isopropyl alcohol. Wet a cotton swab or a napkin in isopropyl alcohol, gently wipe the surface of the lens and let dry.

## TROUBLESHOOTING GUIDE

Problem	Solution
Light doesn't turn ON	Make sure the unit is connected to the power supply and the power supply is connected to an outlet with the correct specifications.
	Make sure electrical power is available to the AC outlet being used.
	Make sure the power supply has the right specifications.
Unit is flickering	Make sure the device is operating within the specified operating temperature range (below 104°F or 40°C). If the unit overheats, it will automatically shut down.
	Make sure you are using a power supply with the correct specifications.
	Make sure to operate the unit in a room at 104°F / 40°C or lower to prevent overheating.



### Controllability

Multiple A80 lights can be controlled either manually or by a single external 0-10V controller.

#### CABLES

- Available cables:
- Control Cable (Please consult kessil.com for list of available cables and compatible controllers).
  - Unit Link Cable (male/male with 3.5 mm stereo jack).
  - Control Extension Cable (6' male/female with 3.5 mm stereo jack).

#### STARTING A CHAIN

Connect two or more lights with the Unit Link Cable, as shown above.

#### CONTROL METHODS

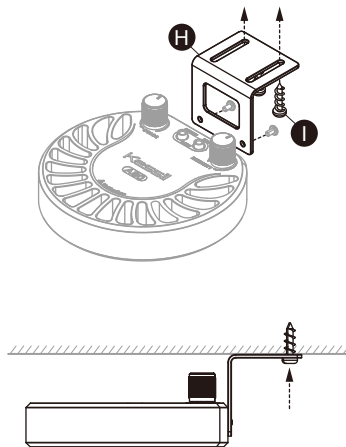
There are two ways to control a chain of lights:

1. With an external controller.
2. Without external controller (Tuning Dials on the first light control all other lights in chain).

Each light has its own independent power supply. Any number of lights can be daisy chained together without degradation of signal. However, in longer chains a slight delay in response may occur. Manual tuning is disabled when input cable is plugged in.

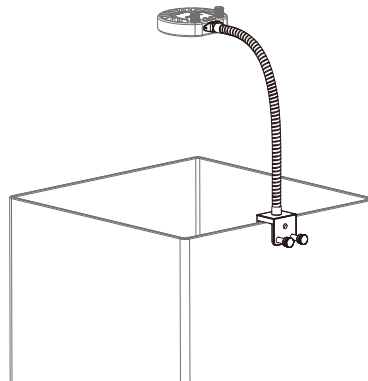
## Top Mounting Adapter

Remove the two screws on the back of A80, and use them to secure Top Mounting Adapter (H) to A80, then use two wood screws (I) to mount them.



## Optional Accessories

**A80 Gooseneck**  
(L=10 in)



For other accessories, please visit [www.kessil.com](http://www.kessil.com).