

5 years · anni
Year
Jahre · años

Guarantee
Garantie · Garanzia · Garantia

3 + 2 year
with online registration



Syncra SDC

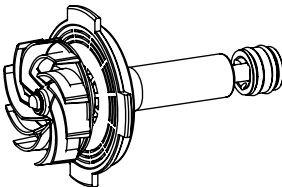
CENTRIFUGAL RETURN PUMP

PSK SDC

SKIMMER PUMP

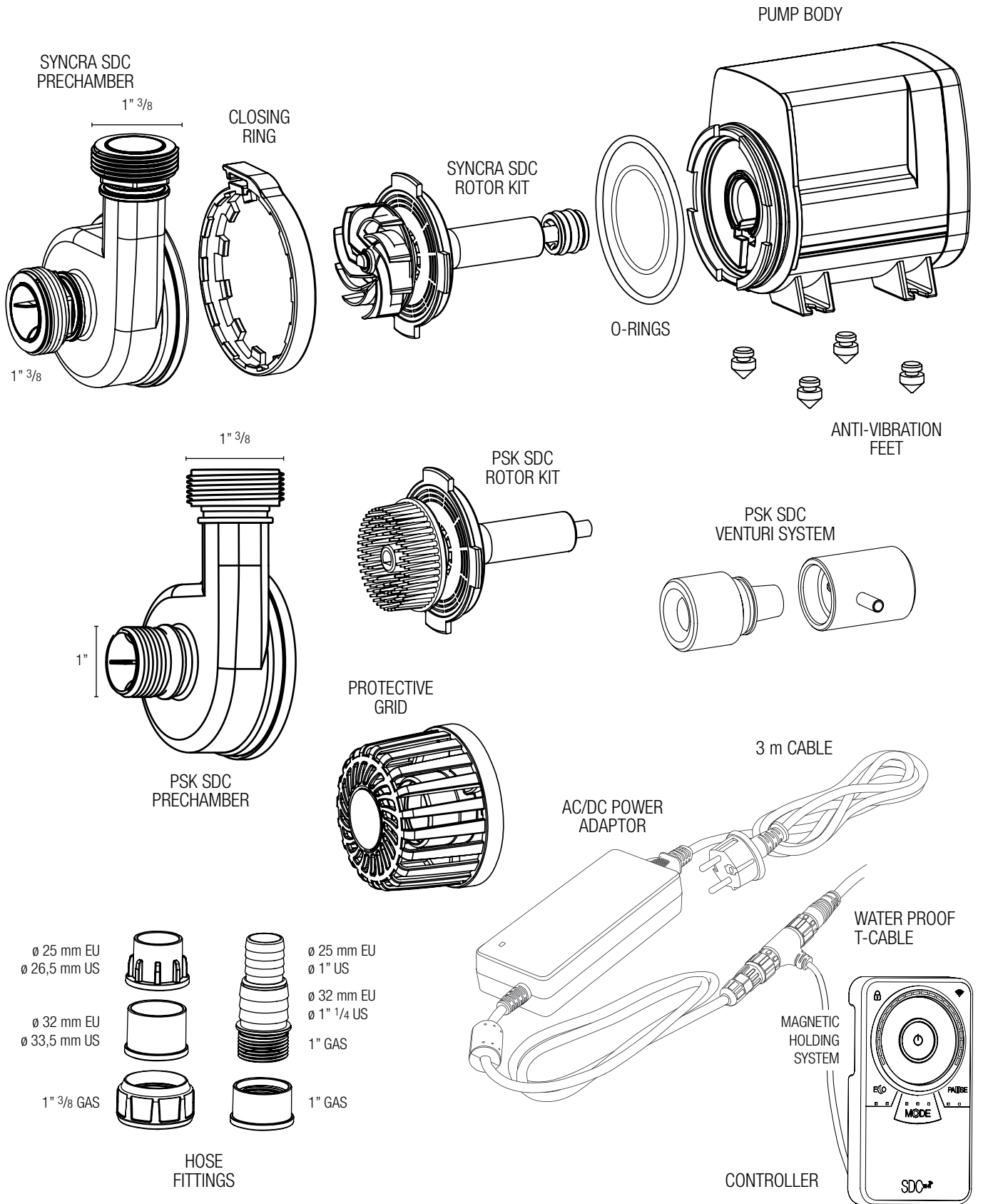


TECHNICAL DATA SHEET

Syncra SDC	7.0	9.0
LIQUID HANDLED	SALT WATER - FRESH WATER	
MAX TEMPERATURE	40° C	
APPLICATION	WET & DRY	
CONSTRUCTION		
IMPELLER	SINGLE CHANNEL	
INTEGRATED PROTECTIVE DISK		
SHAFT	POLISHED - HIGH QUALITY CERAMIC, CALIBRATED WITH PRECISION MACHINE	
BEARING	POLISHED - HIGH QUALITY CERAMIC, CALIBRATED WITH PRECISION MACHINE	
PIPE CONNECTION		
IN LET	1" 3/8	
OUT LET	1" 3/8	
HOSE FITTINGS	RIGID AND FLEXIBLE PIPES FOR WET & DRY DIY MOUNTING	
CHAMBER	360° ROTATION	
MATERIALS		
CASING	ABS	
IMPELLER	POM	
CASING COVER	ABS	
CASING RING	ABS	
HOSE FITTINGS	ABS	
ANTI-VIBRATION FEET	SYLICON	
O-RINGS	NBR	

Syncra SDC	7.0	9.0
MOTOR		
TYPE	SINGLE PHASE	
NO. OF POLES	2	
ROTATION SPEED (RPM)	MIN 1500 MAX 3600	
INSULATION CLASS	3	
PROTECTION DEGREE	IP X8	
POWER RATING (MIN - MAX)	20 - 65 W	30 - 95 W
VOLTAGE	24 V	
OVER LOAD PROTECTION	BUILT-IN THERMAL PROTECTOR	
CABLE		
PUMP CABLE	3 m / 10 ft PVC	
AC/DC POWER ADAPTOR	100 - 240 V / 50 - 60 Hz / 24 VDC	
PLUG TYPE USA	1,2 m / 4 ft lenght	
PLUG TYPE EU	1,2 m / 4 ft lenght	
PLUG TYPE UK & AUS	1,2 m / 4 ft lenght	
Wi-Fi		
CONFIGURATION PASSWORD	sicceitaly	
FREE APPLICATION		
STORE	 	

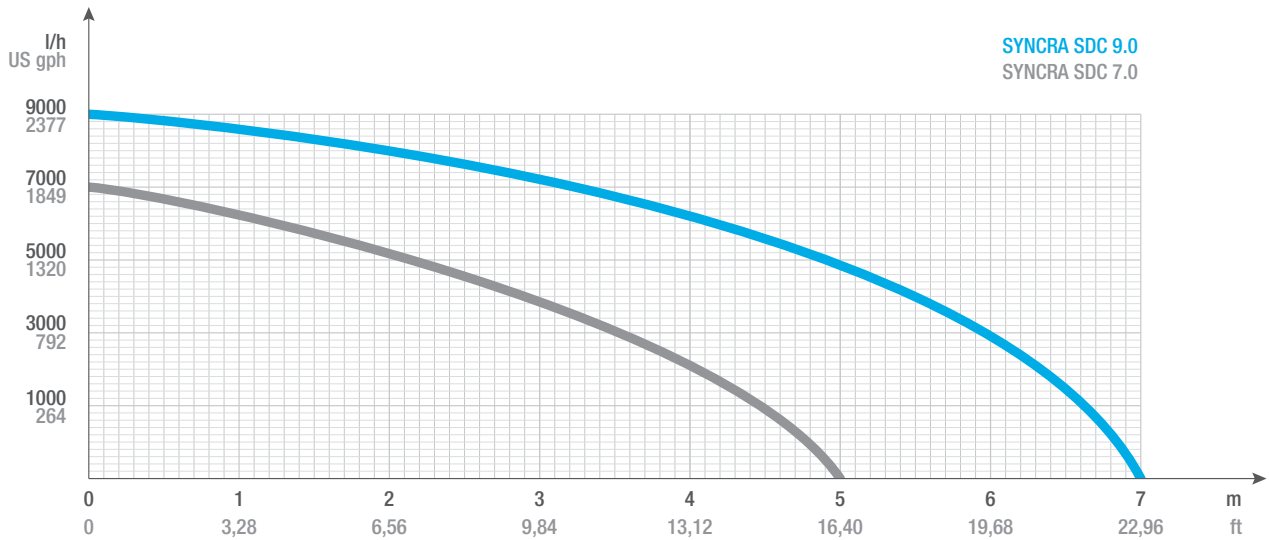
CONSTRUCTION



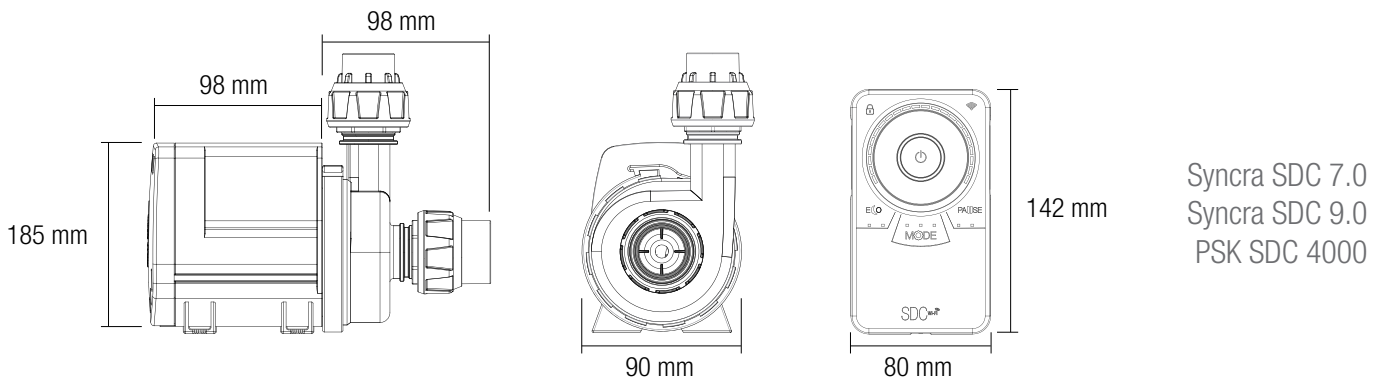
SPARE PARTS

CODE	DESCRIPTION
SGR0217	Impeller, rotor kit, O-ring SDC 9.0
SGR0218	Impeller, rotor kit, O-ring SDC 7.0
SGR0220	Needle wheel impeller, rotor kit, O-ring PSK SDC 4000
SVE0052	Bottom bearing + hook SDC 7.0 - 9.0 - PSK SDC 4000
SVE0053	Pre-chamber and rotor O-rings
SVE0033	Anti-vibrations silicon feet (4 pcs.)
SPL0095	Pre-chamber + closing ring SDC 7.0 - 9.0
SPL0096	Transparent pre-chamber + closing ring PSK SDC 4000
SPL0094	OPTIONAL Protective grid SDC 7.0 - 9.0
STR0029	Hose fittings for rigid and flexible pipes SDC 7.0 - 9.0
SKT0207	Controller for SDC and PSK SDC (all models)
SKT0208	AC/DC power adaptor EU plug
SKT0209	AC/DC power adaptor US plug
SKT0210	AC/DC power adaptor UK plug
SKT0211	AC/DC power adaptor AU plug
SPL0099	OPTIONAL Venturi PSK SDC 4000

TECHNICAL PERFORMANCES

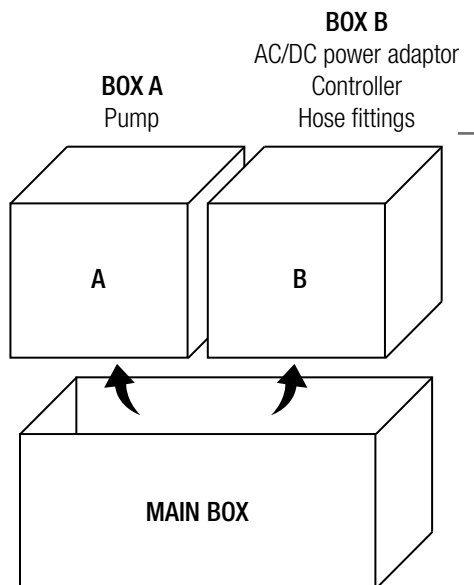


DIMENSIONS



Syncra SDC 7.0
Syncra SDC 9.0
PSK SDC 4000

LOGISTIC



BOX KIT

Syncra SDC 7.0
Syncra SDC 9.0
PSK SDC 4000

DIMENSIONS

384 x 190 x h 148 mm

TOTAL GROSS WEIGHT

5,5 kg

1 PALLET = 30 OUTERS = 120 UNITS

